



**FIRE RESEARCH CORPORATION**  
26 Southern Blvd., Nesconset, NY 11767  
TEL 631.724.8888 FAX 631.360.9727  
**TOLL FREE 1.800.645.0074**  
www.fireresearch.com



**SPECTRA HR**

## SPECTRA HR WIRING, LAMPHEAD INSTALLATION AND MOUNTING BRACKET TEMPLATES

### INSTALL LAMPHEAD ON TELESCOPIC POLE

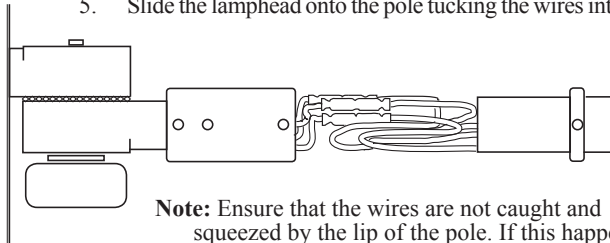
Refer to the lamphead and model specific sheets for safety, maintenance, and installation instructions.

Lampheads and telescopic poles are shipped apart and need to be assembled.

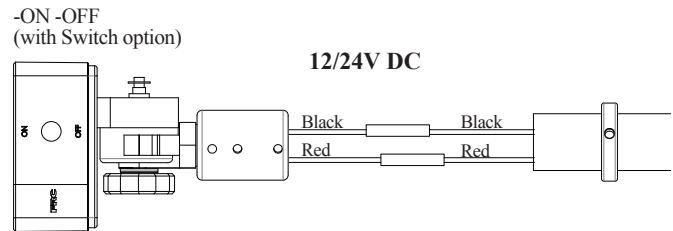
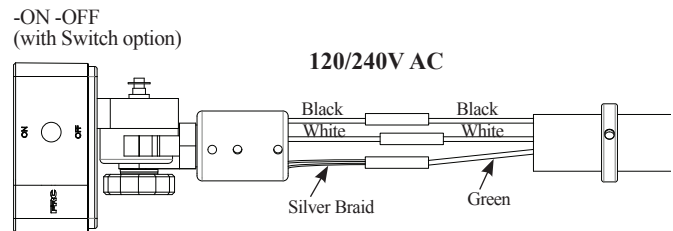
**Note:** The 512 telescopic pole must be installed before the lamphead is attached if the small diameter hole is used. Refer to template drawing for 512 Thru-The-Roof mount.

- Place the lamphead and the pole on a flat surface.
- Connect the lamphead wires to the pole wires.
  - Ensure that 3/8 inch of bare conductor shows at the end of each wire.
  - Insert the wires in the butt connectors and crimp.
- Ensure the crimps are tight. (Test by lightly tugging on the wires.)

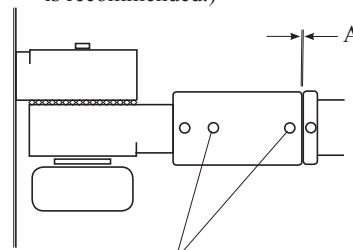
- Loop the excess wire in a zig-zag fashion to take up the slack.
- Slide the lamphead onto the pole tucking the wires into the pole.



**Note:** Ensure that the wires are not caught and squeezed by the lip of the pole. If this happens the wire insulation may be cut and short the wire to the pole.



- Apply thread lock and tighten the set screws to secure the lamphead on the pole. (A medium strength locking compound like Loctite blue is recommended.)



Apply thread lock and tighten the set screws.

**Note:** Dimension A should be less than 0.015" (the thickness of a folded piece of paper). If A is larger, a wire is probably caught. Disassemble and check for wire insulation damage. If there is no damage, reassemble.

#### SPECTRA HR

##### 12/24V DC

- { Connect the RED wire to POWER. }
- { Connect the BLACK wire to GROUND. }

##### 120/240 V AC

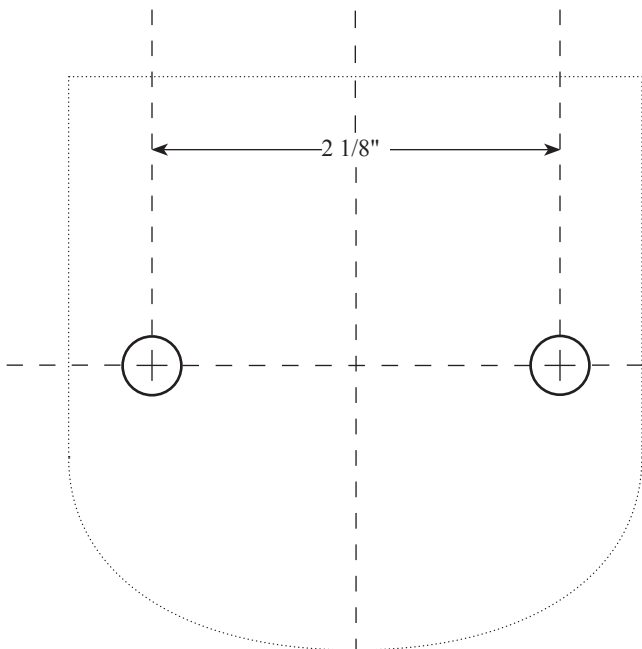
Connect the GREEN wire to chassis GROUND.

- { Connect the WHITE wire to RETURN. }
- { Connect the BLACK wire to LINE (L1). }

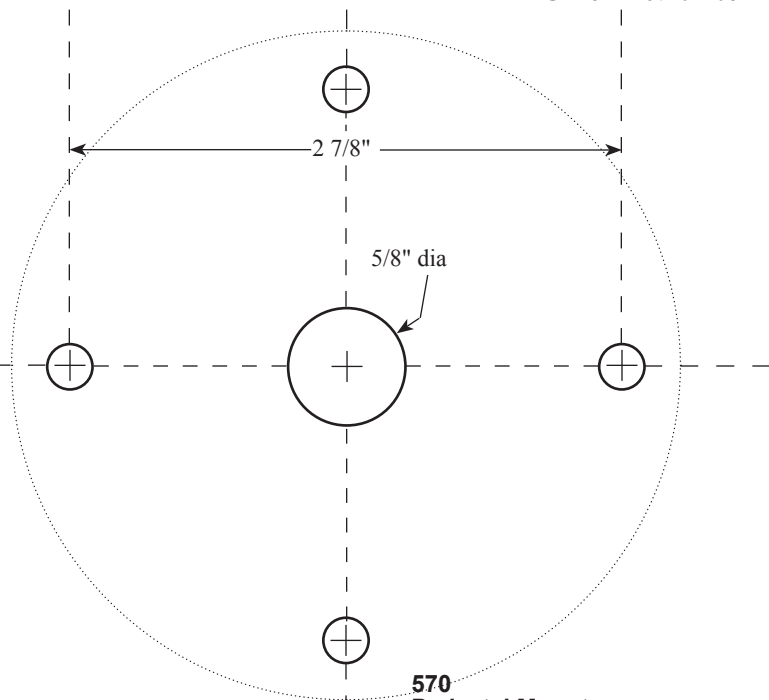
### MAINTENANCE

Use a clean soft cloth, mild soap, and water to clean the lens.

**NOTE:** FRC led lampheads use Lexan lenses and cleaning with abrasive materials, solvents, or most chemical cleaners can cause lens surface degradation and reduced performance of the light. *Some chemicals will cause the lens to become brittle and prone to cracking.*

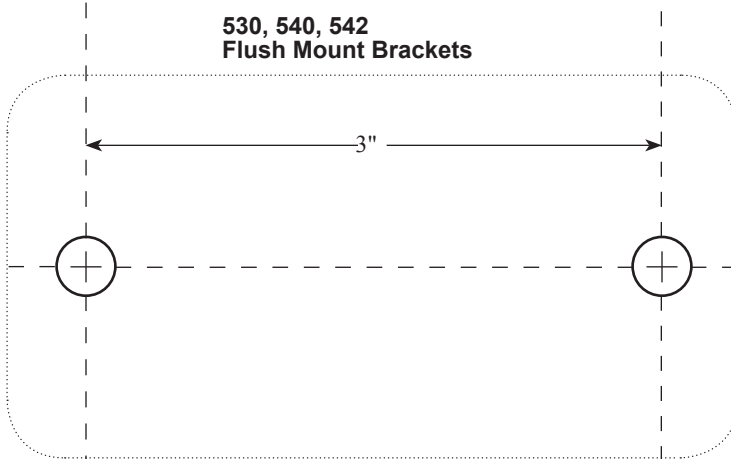


**530, 540, 542, 580  
Side Mount Brackets**



**570  
Pedestal Mount**

**530, 540, 542  
Flush Mount Brackets**

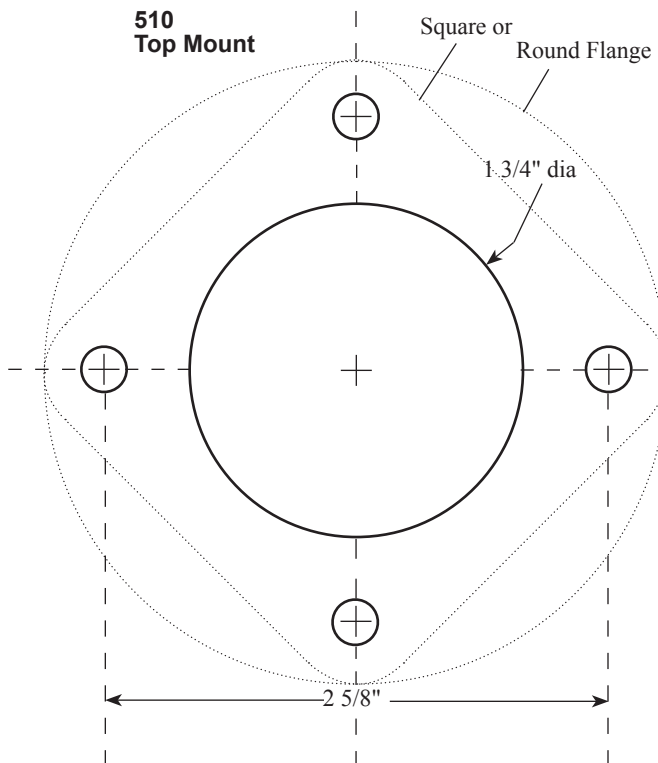


**Scale = Full Size**  
Dimensions are within casting and machine part tolerances.

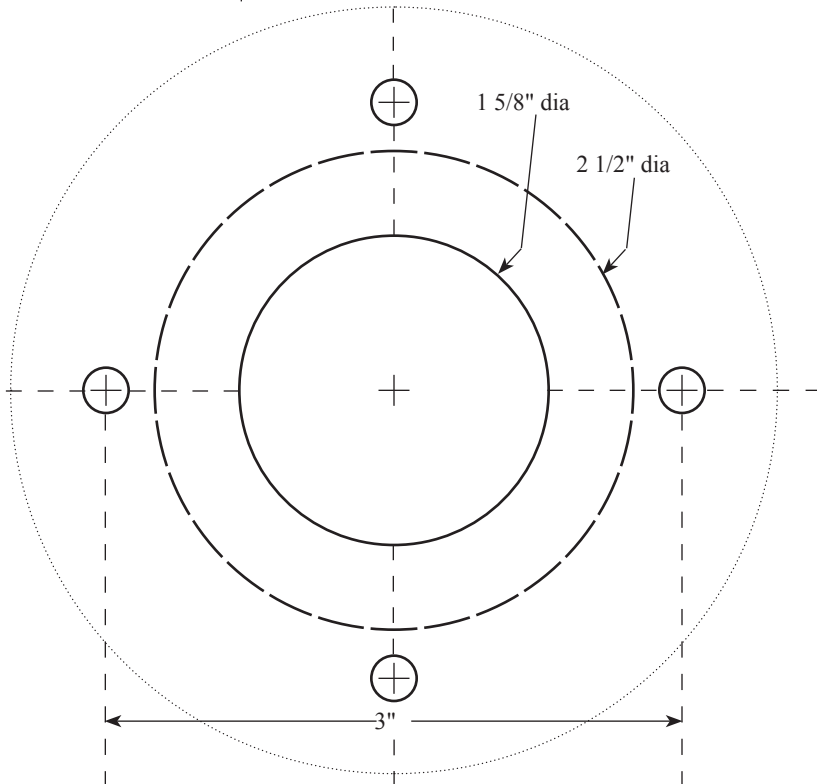
**Hardware Recommendations**  
For 510, 512, 570 mounts: 1/4-20 SS  
For 530, 540, 542, 580 mounts: 5/16-18 SS

**512  
Thru-The-Roof Mount**

**Note:** The 512 telescopic pole must be installed before the lamphead is attached if the small diameter hole is used.



**510  
Top Mount**



**512  
Thru-The-Roof Mount**